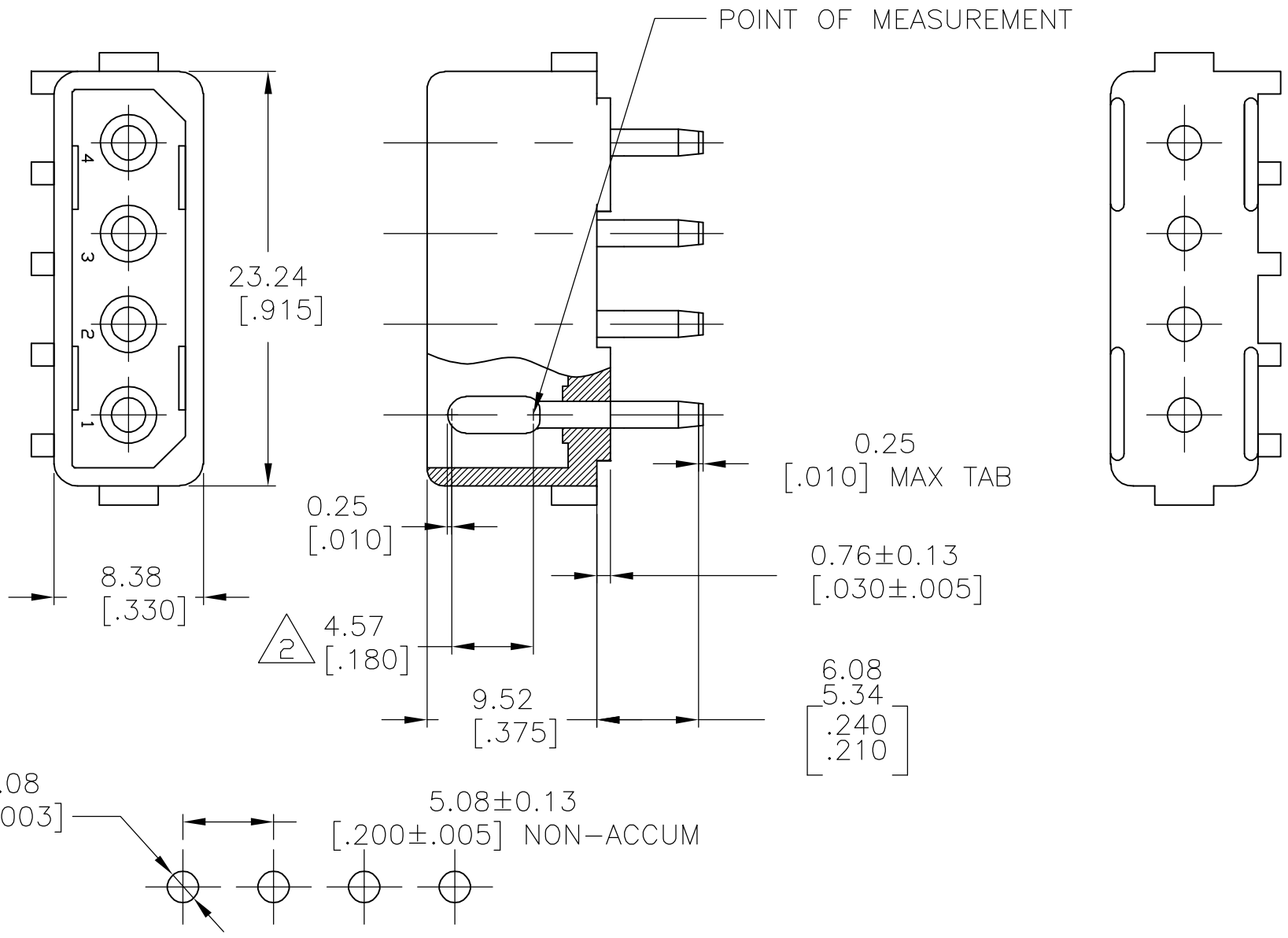


THIS DRAWING IS UNPUBLISHED. RELEASED FOR PUBLICATION  
 © COPYRIGHT BY TYCO ELECTRONICS CORPORATION. ALL RIGHTS RESERVED.

LOC	DIST	REVISIONS					
CM	0	P	LTR	DESCRIPTION	DATE	DWN	APVD
			0	RELEASED PER 0G3B-1134-04	10OCT2005	APB	-



- PARTS MUST COMPLY WITH SOLDERABILITY SPEC. 109-11-3.
- CONTACT IS PLATED OVERALL WITH .000050 NICKEL, THEN .000030 GOLD OVER CONTACT LENGTH INDICATED AND MATTE TIN ON SOLDER TAIL END.

RECOMMENDED LAYOUT FOR  
 3.175[.125] THICK P.C. BOARD

**METRIC**

1586525-2	NYLON-NATURAL	COPPER ALLOY-GOLD
ASSEMBLY NO.	HSG, MATL& COLOR	PIN MATL & FINISH

THIS DRAWING IS A CONTROLLED DOCUMENT.		DWN ARJUN	06OCT05	Tyco Electronics Corporation Harrisburg, PA 17105-3608	
DIMENSIONS: mm [INCHES]	TOLERANCES UNLESS OTHERWISE SPECIFIED:	CHK -	APVD -	NAME 4 CIRCUIT COMMERCIAL MATE-N-LOK(TM) HEADER	
	0 PLC ± -	PRODUCT SPEC -	APPLICATION SPEC -	SIZE	CAGE CODE
	1 PLC ± -			A3	00779
	2 PLC ± -			DRAWING NO	RESTRICTED TO
	3 PLC ± -			C-1586525	-
	4 PLC ± -				
	ANGLES ± -				
MATERIAL SEE TABLE	FINISH SEE TABLE	WEIGHT -			
CUSTOMER DRAWING				SCALE 3:1	SHEET 1 OF 1
				REV 0	